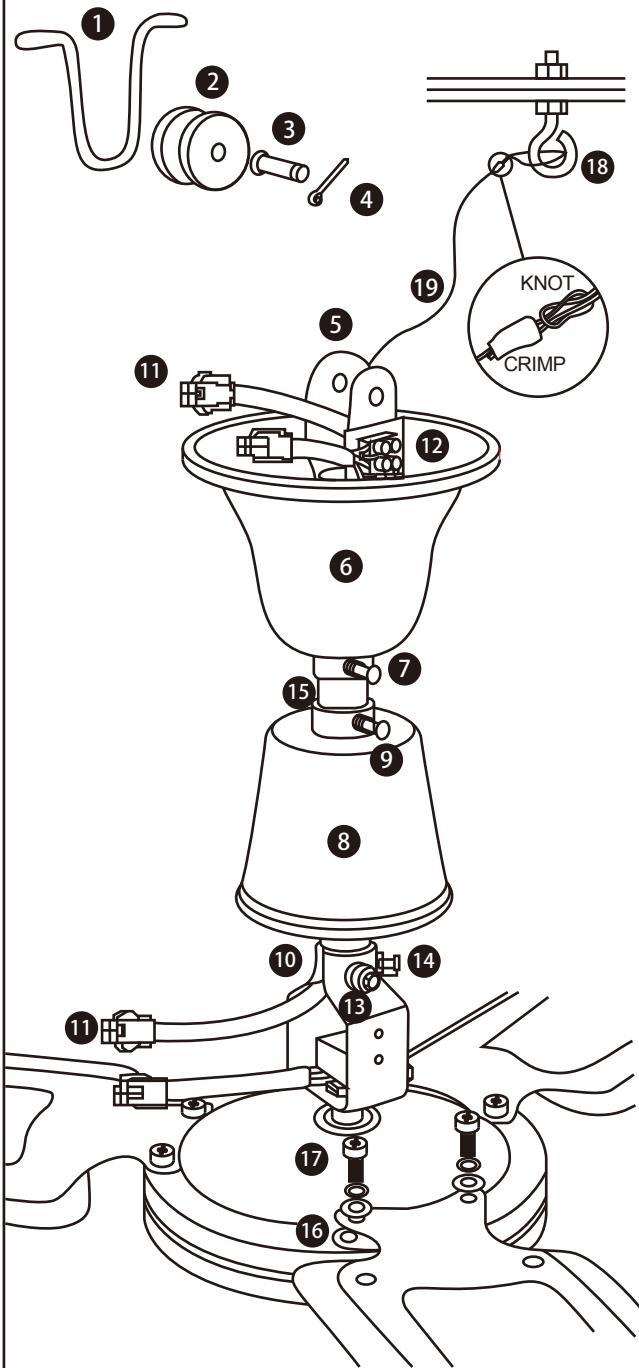


A



Do's and dont's

- ◆ Do read all the instruction leaflet before commencing installation.
- ◆ Do install the fan with a double pole isolating switch.
- ◆ Do make sure that the mains supply is switched off before attempting to make electrical connections or carry out maintenance or cleaning.
- ◆ Do not operate this fan without blades. Do not bend the blades.

Guarantee

Customers outside UK-see International below.

UK Only:

We Redring Xpelair Group Ltd provide a guarantee against faulty parts and manufacture for a period of 1 year from the date of purchase. In the unlikely event of a product break down during the guarantee period the product should be returned to the place of purchase or to Redring Xpelair Group Ltd.

Exclusions:

- This guarantee does not cover compensation for the loss of the product or consequential loss of any kind
- Damage of defects the product arising from incorrect installation or lack of maintenance
- The cost of any equipment or tools required to install or remove the product such as Cherry pickers/ Scaffolding/ Ladders/ Etc
- Transportation costs

This Guarantee does not effect your statutory rights

Technical advice and service

Customers outside UK-see International below.

UK: Xpelair have a comprehensive range of services including:

- ◆ Free technical advice from Engineers on all aspects of ventilation.
- ◆ Free design service, quotations and site surveys.
- ◆ Service and maintenance contracts to suit all requirements.

Please ask for details:

- International Techline Number: +44(0)1733 456789
- International Fax: +44(0)1733 310606
- At the address below.

Head Office. UK Sales Office and Spares

Redring Xpelair Group Ltd, Newcombe House, Newcombe Way, Orton Southgate, Peterborough, PE2 6SE England

Sales/Spares Hotline: 0844 372 7750
 Sales/Spares Faxline: 0844 372 7760
 Technical Services: 0844 372 7766
 Technical Fax: 0844 372 7767
<http://www.xpelair.co.uk>

International

- Guarantee: Contact your local distributor or Xpelair direct for details.
- Technical Advice and Service: Contact your local Xpelair distributor.

Redring Xpelair Group



04/13 G30A

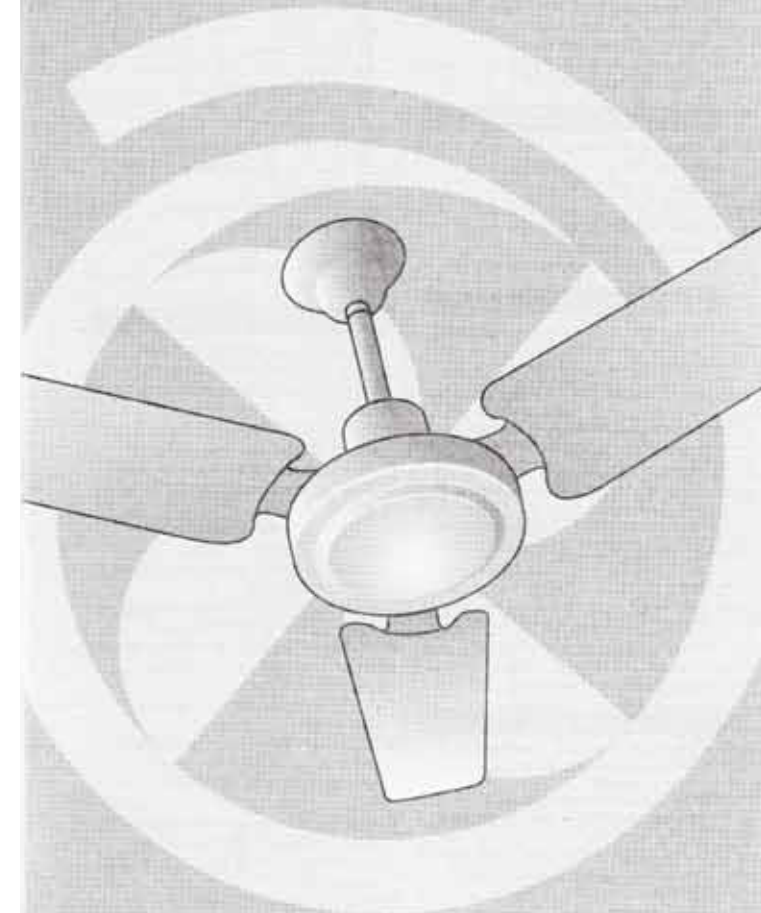
Whisper ceiling fans



- ◆ **NWAN36** 900mm sweep
- ◆ **NWAN48** 1200mm sweep
- ◆ **NWAN56** 1400mm sweep
- ◆ **NWAN60** 1500mm sweep

Installation and operating instructions

Retain for future reference



GB Xpelair Nwan industrial ceiling fan installation and operating instructions

Please leave this leaflet with the appliance for the benefit of the user

Important!

These appliances are intended for connection to fixed wiring. Check that the electrical rating shown on the fan matches the mains supply.

WARNING: THESE APPLIANCES MUST BE EARTHED.

All installations must be supervised by a qualified electrician.

Installations and wiring must conform to current IEE Regulations (UK), local or appropriate regulations (other countries).

If you have any queries before installing these products or after they have been installed, call the Xpelair Technical Hotline. Our engineers are there to help you during normal office hours (UK only) and may be faxed at all other times.

Customers outside the UK may contact your local Xpelair distributor.

Description

- ◆ Available in 4 sweep diameters.
- ◆ Two suspension rods supplied for choice of 15" (375mm) or 30" (750mm) overall drop.
- ◆ Reversible direction.
- ◆ Speed controllable.
- ◆ Can be used in multiple installations.

Controllers

A choice of controllers are available separately.

- ◆ The surface mounted WAC1 controller provides five speed settings for a single fan.
- ◆ Alternatively two group controllers are available, the WAC6 and WAC6R providing variable speed control for up to 6 fans. The WAC6R incorporates a reversing switch.
- ◆ Low voltage (110-127V) versions of the WAC6 and WAC6R (WAC3 and WAC3R) will control up to 3 Nwan ceiling sweep fans.
- ◆ In multi-fan installations, the WAC6, WAC6R, WAC3 and WAC3R can be used with any combination of diameters provided that each fan motor utilises a matched set of three blades.

What you will need

- ◆ A double pole isolating switch with a minimum contact gap of 3mm (Wall or Ceiling mounted).
- ◆ If metal switch boxes are used, earthing regulations must be followed.
- ◆ Suitably rated 3 or 4-core cable.
- ◆ One Philips, one flat blade screw driver, one 14mm spanner and one 7mm spanner.

Location

- ◆ The fan blades must be a minimum of 2.5 metres (approx 98") from the floor.
- ◆ At least 1½ times the sweep diameter from walls or 2 times the sweep diameter where the space is irregular or there are stanchions.

- ◆ Not where ambient temperatures are likely to exceed 50°C.
- ◆ When intended for use in possible chemical corrosive atmospheres, consult our Technical Service Department. (For overseas market contact your local Xpelair distributor).

Components

- 1 Suspension U-hook
- 2 Suspension bobbin
- 3 Suspension pin
- 4 Split cotter pin
- 5 Top suspension point
- 6 Top canopy
- 7 Top canopy securing screw
- 8 Bottom canopy
- 9 Bottom canopy securing screw
- 10 Bottom suspension point
- 11 Male/female electrical connectors (2)
- 12 Electrical connector block
- 13 Split pin, nut, washer and lockwasher
- 14 Earthing screw connection
- 15 Downrod
- 16 Blade packing strips
- 17 Blade screw, washer and locknuts (6)
- 18 Eye Bolt
- 19 Safety Cable

Changing the downrod

The fan comes with the 375mm downrod ready fitted. If it is required to change it to the 750mm downrod, proceed as follows:

- 1 Slacken off the screw on the bottom canopy 9 and slide the canopy up clear of the bottom suspension pin 10.
- 2 Separate the electrical connector block 12.
- 3 Withdraw the suspension pin by removing the split cotter pin, the nut (using a 14mm spanner), the washer and lockwasher 13.
- 4 Slacken the locknut on the earthing screw 14 and release the screw.
- 5 Detach the downrod 15 from the motor.
- 6 Slide the bottom canopy off the downrod.
- 7 Slacken off the screw on the top canopy 7.
- 8 Detach the earth connection to the downrod by removing the screw, shakeproof washer and earth terminal/leads.
- 9 Separate the electrical connector block and disassemble the downrod top suspension point 5 and slide the top canopy off.
- 10 Slide the top canopy onto the replacement longer downrod ensuring the downrod earth fixing hole is towards the top.
- 11 Align the suspension pin holes through the top bracket halves and downrod.
- 12 Fit the top suspension pin ensuring the bolt head is located on the terminal block side.

13 Fit the washer, lockwasher and nut, tighten securely.

14 Insert the split cotter pin through the hole in the top suspension pin and spread the legs to ensure permanent retention.

It is essential that the split pin is fitted for safety reasons.

15 Secure the earth lead to the downrod using the tapped hole provided and ensuring the shakeproof washer is located directly onto the painted surface, tighten securely.

Warning: It is essential that the earth is connected prior to the fan being connected to the main electricity supply.

16 Connect the top electrical connector blocks.

17 Slide the bottom canopy onto the downrod.

18 Locate the downrod onto the bottom bracket taking care to align the holes.

19 Fit the bottom suspension pin through the assembly, fit the washer, lockwasher and nut, tighten securely.

20 Insert the split cotter pin through the hole in the bottom suspension pin and spread the legs to ensure permanent retention.

It is essential that the split pin is fitted for safety reasons.

21 Tighten the screw 18 securely and re-tighten locknut.

22 Connect the bottom electrical connector blocks.

23 Slide the bottom canopy into position covering the bottom bracket assembly and secure by tightening the screw and locknut. The fan is now ready for installation.

Installation

- 1 Slot the suspension bobbin 2 onto the suspension hook 1.
- 2 Secure the suspension hook to the ceiling / roof using suitable fixings. (screws are provided for mounting onto a wooden ceiling / roof).
- Ensure that the position of the suspension hook allows the downrod to hang vertically. It is important that these fixings are secure as they must support the 6.5kg weight of the fan.**
- 3 Fitting the blades: position the blade packing strip 16 over a pair of blade mounting holes in the motor.
- 4 Position the blade over the holes ensuring the bracket is uppermost and fix securely using the screws provided ensuring the washers and lockwashers 17 are utilised as in A. Repeat until all blades are fitted
- Only the factory matched sets of blades must be used on each fan.**
- 5 Take the motor/downrod assembly up to the secured suspension bobbin and hook. Insert the suspension pin 3

through the downrod suspension bracket. Insert the split cotter pin 4 through the hole in the suspension pin and bend back the legs of the split pin to ensure permanent retention.

It is essential that the split pin is fitted for safety reasons.

6 Install the Eye Bolt 18 onto a secured structure that can support the 6.5kg weight of the fan beside the junction box.

7 Insert the safety cable 19 into the Eye Bolt through the slit and then close the Eye Bolt loop.

Note: Knot in safety cable is there for extra strength. DO NOT UNDO KNOT.

Electrical connection

- ◆ Before commencing electrical connection, ensure that the mains supply is switched off and isolated.
- ◆ Connect electrical supply, see wiring diagrams.

- ◆ All installations and wiring must comply with current IEE regulations.
- Note: WAC1 B and WAC6/WAC3 C only:

For conventional use of the fan, connection should be made between the 'LF' terminal in the controlled and the 'LF' terminal in the fan. Alternatively if either the WAC6 or WAC3 controller is required to operate the fan in reverse, the connection should be made between the 'LF' terminal in the controller and 'LR' terminal in the fan. Installation instructions are included with the controller.

- ◆ Low voltage (110V-127V) versions of the WAC6 and WAC6R (WAC3 and WAC3R) will control up to 3 Whispair 110V-127V Ceiling Sweep Fans.

- ◆ The Nwan ceiling sweep fan must be connected to the electrical supply through a suitable double pole isolating switch (not supplied) and protected by a suitable fuse (5A max).

If you experience any difficulty in understanding these electrical requirements, you should consult Xpelair's Technical Sales Department or a qualified electrician prior to making any electrical mains connections.

When the electrical connection is complete, slide the top canopy into position covering the top bracket assembly and preventing access to electrical connections. Secure by tightening the screw.

Maintenance

Any work relating to the fitting or cleaning of fan blades must be undertaken with the power supply off. The only maintenance of your new fan is periodic cleaning. Use only a brush or lint free cloth to avoid scratching the finish. Never use water when cleaning the fan, as this may damage the motor or blade, and possibly result in electric shock.

